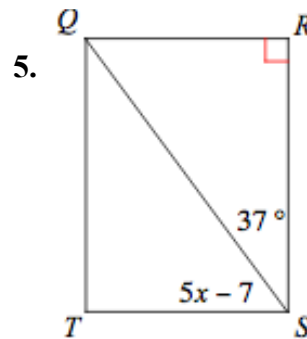
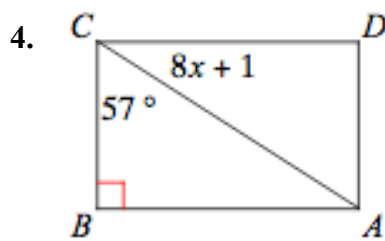
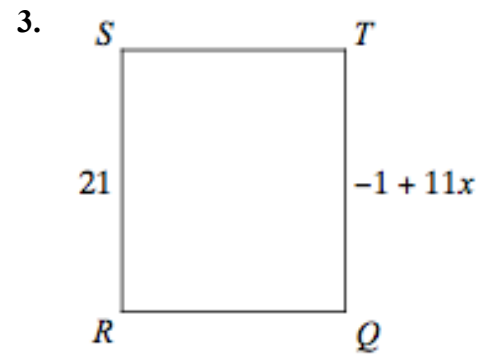
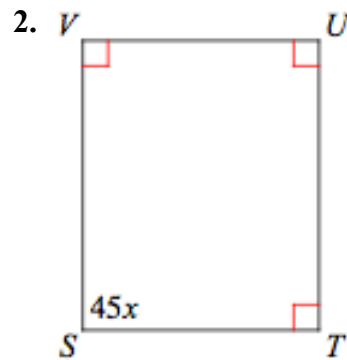
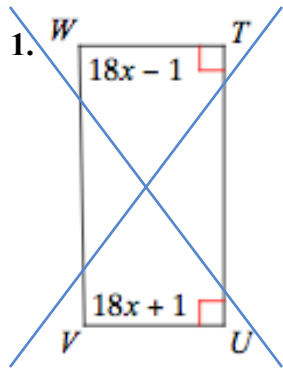


Geometry – Special Quadrilaterals
13c Homework: Rectangles

Name _____
 Pd _____ Date _____

In each rectangle, find the value of x .



The diagonals of rectangle RSTU intersect at W. Solve for x , then find the length of the diagonal.

6. $RW = 6x + 4$ & $TW = 7x + 1$

7. $UW = 2x - 11$ & $US = x + 8$