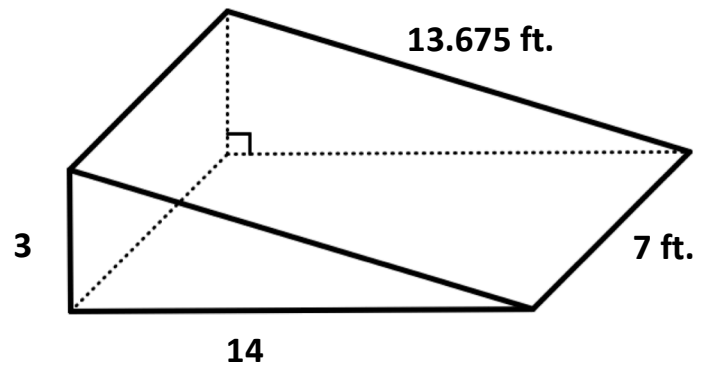


Geometry – Measurements of Three-Dimensional Figures
16a Homework: Volumes of Prisms

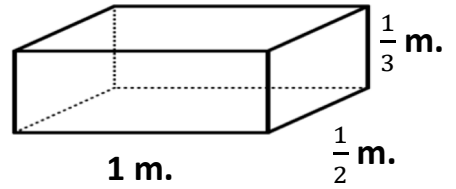
Name _____
Pd _____ Date _____

1. Determine the volume of a cube that has an edge with a length of 10 cm.

2. The triangular prism shown below represents a ramp that was constructed in front of a person's home so that a person in a wheelchair could enter the home more easily. Determine the volume of the prism.



3. Determine the volume of the rectangular prism shown below. All dimensions shown are given in meters.



4. A shipping container is a large rectangular prism made of steel that is used to transport products over long distances (e.g., on a ship across the ocean or driving from one city to another on a semi-trailer truck). The shipping container shown below has a volume of 2,720 cubic feet. Determine the missing dimension of the container.

